

Product specification sheet

Floor/ground socket IP 67

Designation:

Type: STAKOHOME-7601-H 1x socket 230V
 Type: STAKOHOME-7601-Hnw 1x RJ45 Cat.6a
Other types (different instrumentation) upon request

Specification:

The body and lid are made of aluminium. The screwing lid and frame from solid aluminium. The screwing lid can be open only using a special key. Providing this design is correctly installed, passenger vehicles can drive over it. The assembly unit/box is suitable for outdoor use, IP 67. Side inlets 2x M25.

Assembly instructions: Use cable screwing with ingress protection IP67. Use only flexible lines to provide the type of protection. Press the ground socket with spirit level into the mortar bed etc., level with the terrain according to the screed or similar material. The rest shall be later filled up with mortar. The box must be regularly cleaned, otherwise the ingress protection level cannot be guaranteed. Only authorized electrician specialist can install the connection.

Maintenance: The drawers must be regularly checked and leaned.



Scope of application: Outdoor and indoor areas, water-proof if closed, ingress protection IP67.

Accessories: Type: STAKOHOME-7703-2 Extension for protection against water and dust (Ø80 x 70mm)
 The extension is made of gray solid PVC. Due to the small hole for the cable, it is no longer an IP67 protection. Accessories must be purchased (if necessary)

Technical data:

Material: Aluminium body, aluminium lid and frame

PVC-U: Special characteristics: No elasticator, good mechanical solidity, resistance to acids and alkali.
 Typical applications: Terraces, garages, house vicinity, car saloons, exhibition areas, commercial areas, swimming pools, etc.

Dimensions: 100x100x82mm
 Weight: approx 920 g
 Load-carrying capacity: 900kg
 Sockets/instrumentation: 230V, RJ45

Note: Printing errors and alterations reserved

stakohome®

Stakohome Network s.r.o.
 IČ: 27213064, DIČ: CZ27213064
 tel.: +420 226 517 522
 fax: +420 226 517 379
 stakohome@stakohome.cz
 www.stakohome.cz
 www.intelligentni-byt.cz

Invoicing address: Podnikatelská 565, 190 11 Praha 9, Běchovice
 Showroom and delivery address: Aloisovská 934/8, 198 00 Praha 9, Hloubětín

Technical sheet

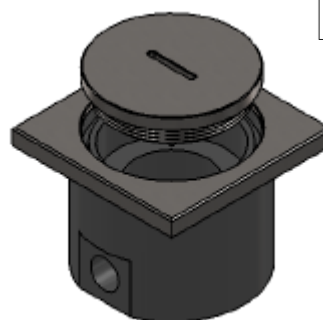
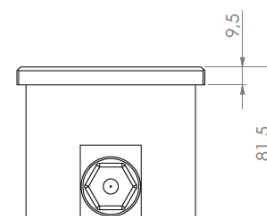
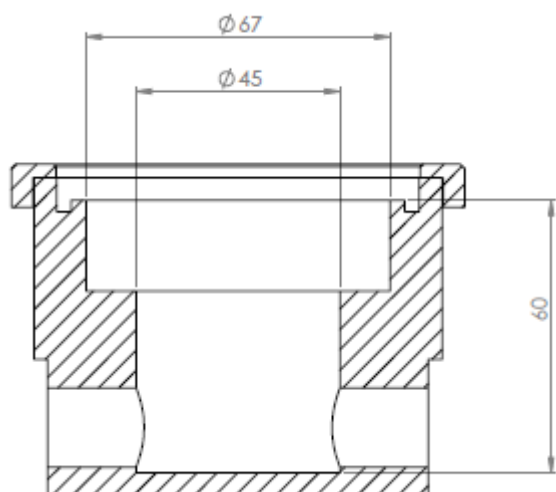
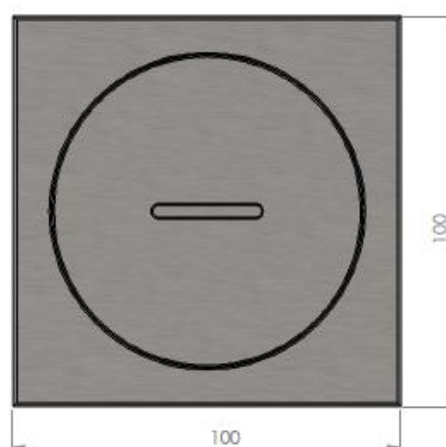
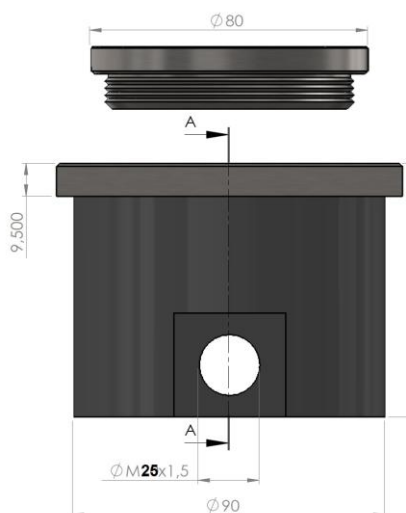
Floor box IP67

Designation:

Type: STAKOHOME-7601-H 1x socket 230V
 Type: STAKOHOME-7601-Hnw 1x RJ45 Cat.6a
Other types (different instrumentation) upon request

Accessories: Type: STAKOHOME-7703-2 Extension for protection against water and dust (Ø80 x 70mm)

Note.: Side inlets 2x M25.



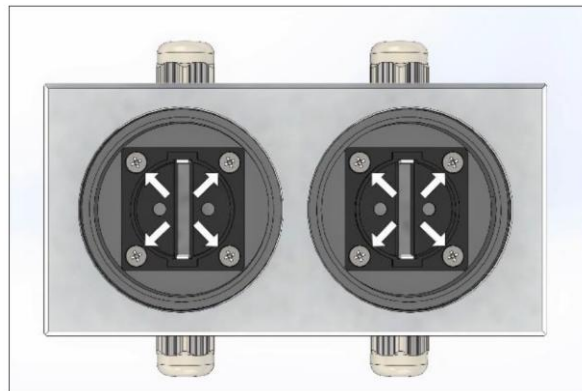
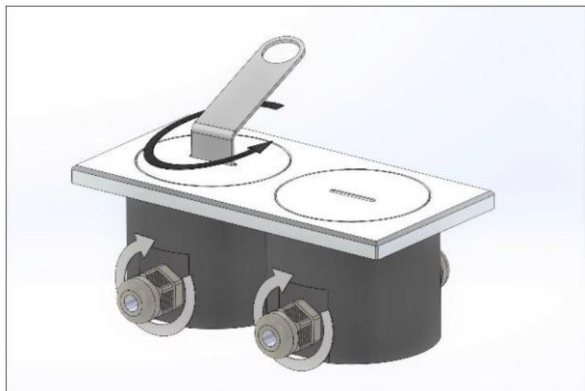
Note: Printing errors and alterations reserved

stakohome®

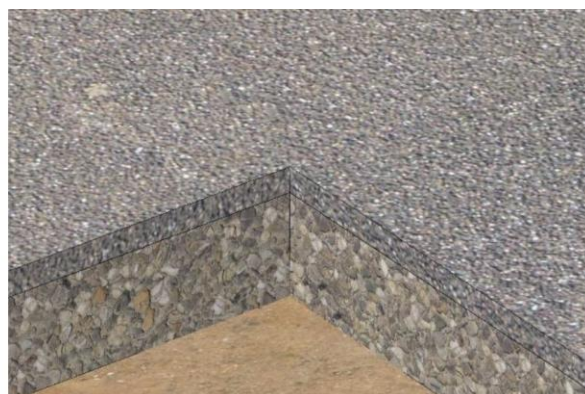
Stakohome Network s.r.o.
 IČ: 27213064, DIČ: CZ27213064
 tel.: +420 226 517 522
 fax: +420 226 517 379
stakohome@stakohome.cz
www.stakohome.cz
www.intelligentni-byt.cz

Invoicing address: Podnikatelská 565, 190 11 Praha 9, Běchovice
 Showroom and delivery address: Aloisovská 934/8, 198 00 Praha 9, Hloubětín

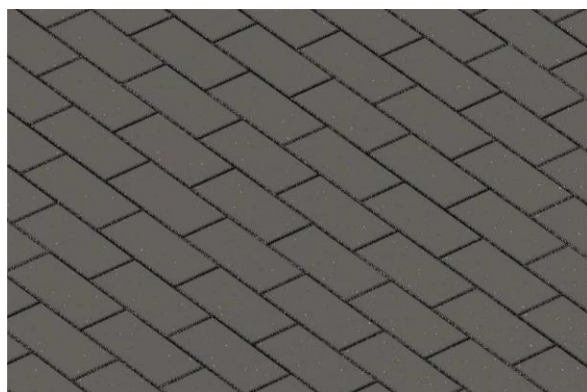
Installation - for concrete (pavement) (for type STAKOHOME-7601-H/Hnw, STAKOHOME-7602-A/Anw)



First, unscrew the lid and possibly the bushings (if they are already prepared in the base box). Furthermore, the socket holder, including the sockets themselves, is removed from the box. Note: the 230V socket is always delivered according to the standards on the relevant market. For the Czech Republic and Slovakia with a safety pin.



Bring the appropriate cable (s) to the required place in the ground, prepare the entire area for paving and mark the place where the cable ends.



The paving is placed on the whole surface and then a part of the paving is removed (at the marked place).

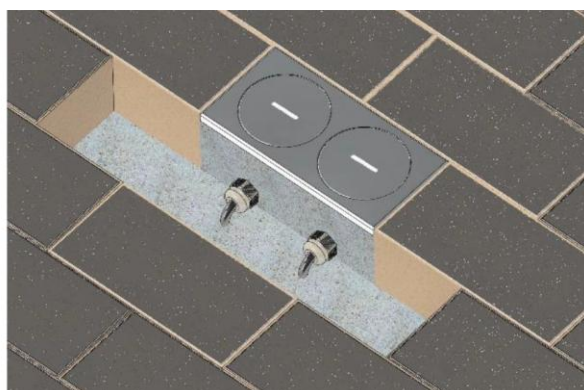
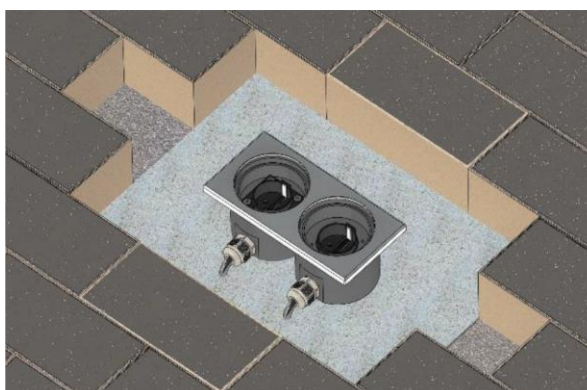
stakohome®

Stakohome Network s.r.o.
IČ: 27213064, DIČ: CZ27213064
tel.: +420 226 517 522
fax: +420 226 517 379
stakohome@stakohome.cz
www.stakohome.cz
www.intelligentni-byt.cz

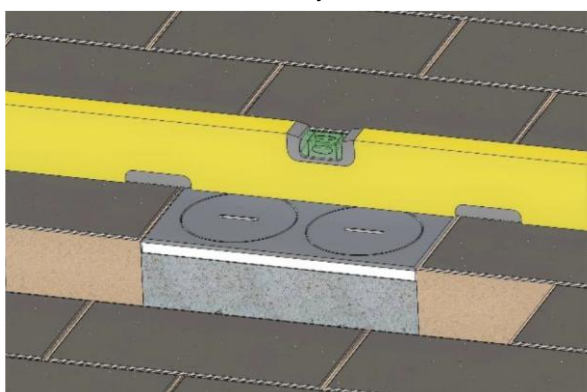
Invoicing address: Podnikatelská 565, 190 11 Praha 9, Běchovice
Showroom and delivery address: Aloisovská 934/8, 198 00 Praha 9, Hloubětín



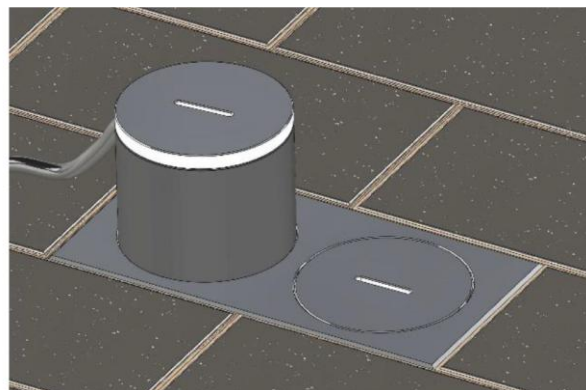
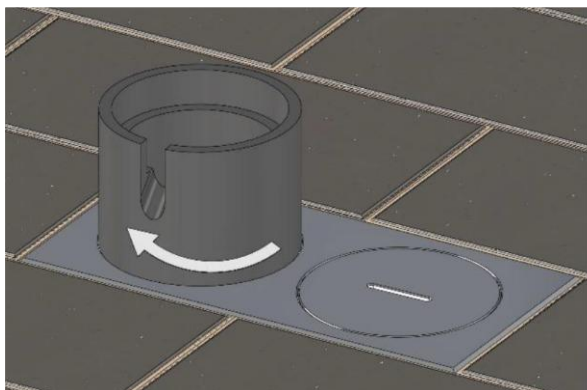
A hole is prepared at the end of the cable (s). Hole size according to the type of socket. Cable grommet/ blind plug with seals are screwed to the box (used according to the size / cross-section of the installed cable). Then the cable (s) are passed through the grommet in the box and the grommet is tightened to the cable. The cable entries must be secured (eg with a sealing compound) so that the supply (instead of the cable entering the bushing) is sealed and water / moisture does not get into the socket. The cable (s) are connected to the appropriate socket and the socket holder is attached back to the floor box.



The floor box is placed in a prepared place so that it is possible to add paving (according to the shape and size of the paving). A mortar / concrete bed is prepared under the floor box and the entire floor box is fixed with concrete. Note: the floorer chooses the method of fixing / concreting the floor box (eg according to the type and height of the paving). Therefore, the installation may differ from this installation design.



Before the concrete hardens, the floor box is leveled with the ground using a spirit level. Subsequently, the missing tiles will be added.



pic. Use of one extension for floor box STAKOHOME-7602-A.

If an extension is used, the cover is unscrewed and the appropriate extension is screwed in instead of the cover. The required device is connected and the lid is screwed back onto the attachment.

The black rubber cover is pulled onto the attachment. The connected cables (from appliances / equipment) pass through the holes in the PVC extension and under the black protective cover downwards.

The attachment is made of gray solid PVC, suitable as protection against dust and dirt, for example. Due to the small hole (in the upper part of the extension) for the cable, it is no longer an IP67 protection.

The STAKOHOME-7703-2 attachment can be used for the STAKOHOME-7601-H STAKOHOME-7602-A floor box.



pic.: new extension STAKOHOME-7703-2 with floor box STAKOHOME-7501-H